

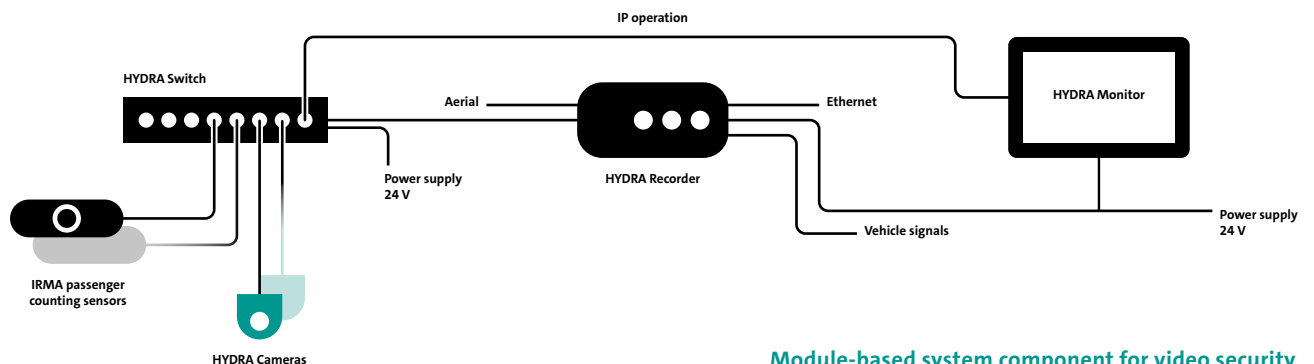


HYDRA Dome Camera

Mobile dome network camera

KEY FEATURES

- Depending on the model, approved for bus applications or for buses and railways
- H.264 & H.265 compression technology
- 30 fps at 1920 × 1080 px
- WDR Pro to guarantee a crystal-clear view in extremely bright and dark environments
- Fast AE for rapid adaptation to changes in light
- Smart Stream III for optimum bandwidth usage
- Weatherproof IP66, IP67 and vandal-proof IK10 housing
- IR lighting up to 20 metres
- MicroSD/SDHC/SDXC card slot for internal storage
- Image rotation for corridor view
- 802.3af PoE support (applies to VZM300249, VZM300250, VZM300295)



ITEM NUMBERS

VZM300249 MD9560-H 108° PoE (road)
VZM300250 MD9560-H 89° PoE (road)
VZM300279 MD9560-DH 108° 12V AMP (road)
VZM300295 MD9560-H 108° PoE (rail)



TECHNICAL DATA

System information

- CPU: Multimedia SoC (system-on-chip)
- Flash memory: 128 MB
- Working memory: 256 MB

Camera features

- Image sensor: 1/2.9" progressive CMOS sensor
- Max. resolution: 1920 × 1080 px (2MP)
- Type of lens: Fixed focal length

Focal length: • VZM300249: f = 2.8 mm • VZM300250: f = 3.6 mm
• VZM300279: f = 2.8 mm • VZM300295: f = 2.8 mm

Aperture: • VZM300249: F1.8 • VZM300250: F2.0
• VZM300279: F1.8 • VZM300295: F1.8

- Iris type: Fixed aperture

Field of vision:

- VZM300249: 108° (horizontal), 60° (vertical), 124° (diagonal)
- VZM300250: 89° (horizontal), 47° (vertical), 105° (diagonal)
- VZM300279: 108° (horizontal), 60° (vertical), 124° (diagonal)
- VZM300295: 108° (horizontal), 60° (vertical), 124° (diagonal)

- Shutter speed: 1/5 s to 1/32.000 s
- WDR technology: WDR Pro
- Day/Night: Yes
- Detachable IR blocking filter: Yes
- IR lighting: Built-in IR lighting, effective up to 20 metres with Smart IR, IR LED*2

Minimum lighting:

- VZM300249: 0.13 Lux @ F1.8 (colour), 0.01 Lux @ F1.8 (S/W), 0 Lux with IR lighting on
- VZM300250: 0.16 Lux @ F2.0 (colour), 0.01 Lux @ F2.0 (S/W), 0 Lux with IR lighting on
- VZM300279: 0.13 Lux @ F1.8 (colour), 0.01 Lux @ F1.8 (S/W), 0 Lux with IR lighting on
- VZM300295: 0.13 Lux @ F1.8 (colour), 0.01 Lux @ F1.8 (S/W), 0 Lux with IR lighting on

- Swivelling range: ± 30°
- Inclination angle: 90°
- Rotation range: ± 180°
- Pan/tilt/zoom: ePTZ: 48× digital zoom (4× through IE plug-in, 12× built-in)
- On-board memory: Supports microSD/SDHC/SDXC memory cards, continuous recording

Video

- Video compression: H.265, H.264, MJPEG
- Maximum frame rate: 30 fps at 1920 × 1080 px
- Maximum streams: Up to 3 simultaneous streams

S/N ratio: • VZM300249: 60 dB • VZM300250: 52 dB
• VZM300279: 60 dB • VZM300295: 60 dB

- Contrast range: 120 dB
- Video streaming: Adjustable resolution, quality and bit rate; Smart Stream III
- Image settings: Adjustable image size, quality and bit rate, time marker, text overlay, rotate/flip, adjustable brightness/contrast/saturation/sharpness, white balance, exposure control, gain, backlight compensation, private area, 3D noise reduction, schedule, profile settings, image rotation, defogging

Audio

- Audio function: One-way audio
- Sound compression: G.711, G.726, MPEG-2 AAC-LC
- Interface: built-in microphone, external input
- Effective range: 5 m

Network

- User: Live view for up to 10 clients
- Supported protocols: 802.1X, ARP, CIFS/SMB, CoS, DDNS, DHCP, DNS, FTP, HTTP, HTTPS, ICMP, IGMP, IPv4, IPv6, NTP, PPPoE, QoS, RTSP/RTP/RTCP, SMTP, SNMP, SSL, TCP/IP, TLS, UDP, UPnP
- Interface: 10 Base-T/100 Base-TX Ethernet (M12, socket, 4-pin D-coded)

Solution integration

Video motion detection: Motion detection in five areas

Alarm & event functions

- Event trigger: Motion detection, manual triggering, digital input, periodic triggering, system start, recording notification, camera tampering detection, audio detection, SD card service life, cybersecurity events (brute force attack event, cyber-attack event, quarantine event)
- Event action: Event notification via digital output, e-mail, HTTP, FTP, NAS server, SD card file upload via e-mail

General

Connections VZM300249, VZM300250, VZM300295:

- 1 × M12 socket outlet (socket contacts) 4-pin, D-coded Network/PoE

Connections VZM300279:

- 1 × 12V AMP connection, 1 × M12, 4-pin D-coded network

Connections VZM300249, VZM300250, VZM300279, DRV131211:

- 1 × audio output
- 1 × digital input (30 V, 1 A)
- 1 × digital output (12 V, 50 mA)

- LED display: System and status display

Power supply:

- VZM300249, VZM300250, VZM300295: IEEE 802.3af PoE Class 2
- VZM300279: 7.5 ~ 48V_{DC}

- Power consumption: Max. 5.5 W (IR on), max. 3.3 W (IR off)
- Dimensions: 98 × 54 × 110.8 mm
- Weight: 400 g
- Housing: IP66, IP67, IK10, NEMA 4X
- Operating conditions:
- Starting temperature: -25 °C ~ 55 °C
- Operating temperature: -25 °C ~ 60 °C (IR off) / -25 °C ~ 55 °C (IR on)
- Maximum (intermittent): 70 °C
- Humidity: 98%

Conformity

EMC: CE (EN 55032, EN 55024 Class B, EN 50121-4, EN 50121-3-2), FCC (FCC Part 15 Subpart B Class B), RCM (AS/ NZS CISPR 32 Class B), VCCI (VCCI-CISPR 32 Class B); Safety: UL (UL 62368-1), CB (IEC/ EN 62368-1, IEC/ EN 60950-22, IEC/ EN 62471); Vehicles: ECE R118; Railway (VZM300279, VZM300295): EN 50155: 2021, EN 50121-3-2:2016, EN 60068-2-1:2007, EN 60068-2-2: 2007, EN 61373: 2010, EN 45545-2, IEC 60571 Ed 3.0, IEC 62236-3-2 Ed 3.0, EN 50121-4: 2016