

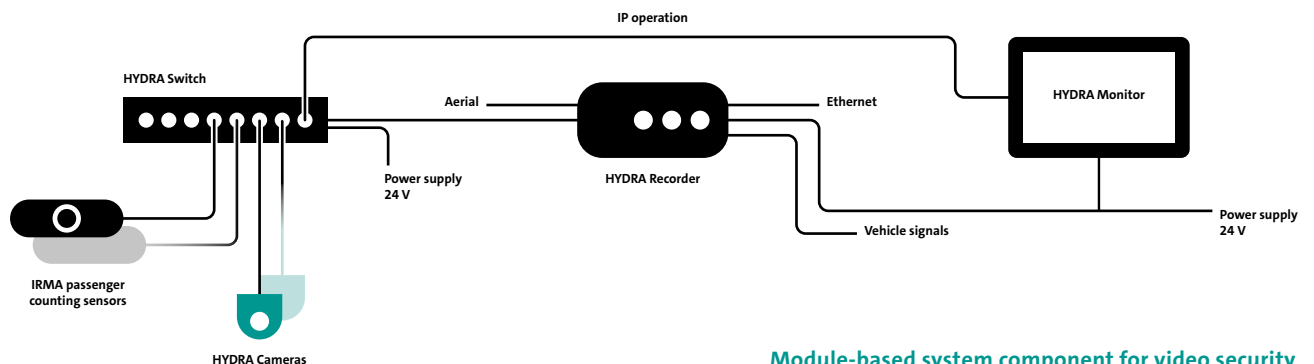


HYDRA Side Camera

Mobile network camera for outdoor area

KEY FEATURES

- 60 images per second at 1920 × 1080 px
- Built-in IR spotlight, effective up to 50 metres
- WDR Pro for full vision in high-contrast environments
- Smart Stream III for optimising bandwidth efficiency
- Quickly adapts to lighting changes
- De-icing function with internal heating
- Weatherproof IP6K9K/IP68-certified, vandal-proof IK10+ and NEMA 4X-certified housing
- EN50155 2017 OT4 conformity



Module-based system component for video security

ITEM NUMBERS

VZM300302 MD9584-H 83° (road)
VZM300305 MD9584-H 50° (road)
VZM300326 MD9584-H 83° (rail)
VZM300325 MD9584-H 50° (rail)



TECHNICAL DATA

System information

- CPU: Multimedia Soc (system-on-chip)
- Flash memory: 8 GB
- Working memory: 2 GB

Camera features

- Image sensor: 1/2.7" Progressive CMOS sensor
- Max. resolution: 2560 × 1920 px (5 MP)
- Type of lens: Fixed focal length

Focal length:

- VZM300302, VZM300326: f = 3.6 mm
- VZM300305, VZM300325: f = 6 mm

- Iris type: fixed aperture

Field of vision:

- VZM300302, VZM300326: 83° (horizontal), 61° (vertical), 111° (diagonal)
- VZM300305, VZM300325: 50° (horizontal), 37° (vertical), 63° (diagonal)

- Shutter speed: 1/5 s to 1/32.000 s
- WDR technology: WDR Pro
- Day/Night: Yes
- Swivelling infrared blocking filter: Yes
- Swivelling range: +30°
- Inclination angle: +/-90°
- Pan/tilt/zoom: ePTZ: 48× digital zoom (4× through IE plug-in, 12× built-in)
- On-board memory:
- Supports microSD/SDHC/SDXC memory cards
Recording to network-attached storage (NAS)

Video

- Video compression: H265, H264, MJPEG

Maximum frame rate:

- 30 fps @ 2560 × 1920
- 60 fps @ 1920 × 1080

- Maximum streams: Up to 3 simultaneous streams

S/N ratio:

- VZM300302, VZM300326: 55 dB
- VZM300305, VZM300325: 80 dB

- Contrast range: 120 dB
- Video streaming: Adjustable resolution, quality and control for constant data transmission rate; Smart Stream III

Image settings:

- General settings: Display of video title and timestamp, video alignment (flip, mirror, rotate), day/night settings
- Lighting: Anti-overexposure
- Image settings: White balance, image adjustment (brightness, contrast, saturation, sharpness, gamma curve), defog, 3DNR, HLM, EIS, scene mode (signal light, rail track)
- Exposure: BLC, HLC, exposure control (exposure level, aperture adjustment, shutter speed, gain control, aperture mode), AE speed adjustment, WDR
- Privacy mask; timed profile settings

Audio

- Audio function: Two-way audio
- Sound compression: G.711, G.726, MPEG-2 AAC-LC
- Interface: Built-in microphone, external input

Network

- User: Live view for up to 10 clients
- Supported protocols: 802.1X, ARP, Bonjour, CIFS/SMB, CoS, DDNS, DHCP, DNS, FTP/SFTP, HTTP, HTTPS, ICMP, IGMPV3, IPV4, IPV6, NTCP, NTP, PPPOE, QOS, RTSP/RTP/RTCP, SMTP, SNMP, SSL, TCP/IP, TLS, UDP, UPnP
- Interface: 10 Base-T/100 Base-TX Ethernet

Solution integration

Motion detection in five windows, person detection, time filter

Alarm & event functions

- Event trigger: Audio detection, camera tampering detection, cybersecurity events, digital input, manual trigger, motion detection, periodic trigger, recording notification, SD card life expectancy, shock detection, system start-up
- Event action: Event notification via audio clip, camera link, digital output, e-mail, HTTP, FTP/SFTP, NAS server, SD card, push notification; file upload via e-mail, HTTP, FTP/SFTP, NAS server, SD card

General

Connections:

- 1 × M12 socket outlet (socket contacts) 4-pin, D-coded for network/PoE
- 1 × M12 socket outlet (pin contact) 5-pin, A-coded for heating
- 1 × audio input
- 1 × audio output
- 1 × digital input
- 1 × digital output

- LED display: System and status display

Power connection:

- Camera: IEEE 802.3af PoE Class 0
- Heating: 24 V_{DC}

Power consumption:

- Camera: Max. 10.26 W/ 6.08 W (IR on/off)
- Heating: 24 W

- Dimensions: 122 × 180 × 59 mm
- Weight: 812 g
- Housing: IP6K9K, IP68, IK10+, NEMA 4X

Operating conditions:

- Starting temperature: -40 °C ~ 70 °C
- Operating temperature: -40 °C ~ 60 °C (IR on)
- Operating temperature: -40 °C ~ 70 °C (IR off)

Conformity

- VZM300302, VZM300305: EN45545 HL1
- VZM300326, VZM300325: EN45545 HL3
- EMC: CE (EN 55035, EN 55032 Class A), FCC (FCC Part 15 Subpart B Class A), RCM (AS/NZS CISPR 32 Class A), VCCI (VCCI-CISPR 32 Class A)
- Safety: UL (UL 62368-1), CB (IEC/EN 62368-1, IEC/EN 60950-2, IEC/EN 62471)
- Environment: IK10+ (IEC 62262), IP68/6K9K (IEC 60529), NEMA (NEMA 250 Type 4X)
- Railway: EN 50155: 2021 (OT4/ST1), EN 50121-3-2: 2016, EN 50121-4: 2016, EN 60068-2-1: 2007, EN 60068-2-2: 2007, EN 61373: 2010, EN 45545-2, IEC 60571 Ed 3.0, IEC 62236-3-2 Ed 3.0 Vehicles: ECE R118
- BI: BSMI (EMC: CNS 13438, Safety : CNS 14336-1)